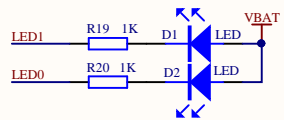


SPI_PCM=1:SPI_MODE
SPI_PCM=0:I2S_MODE

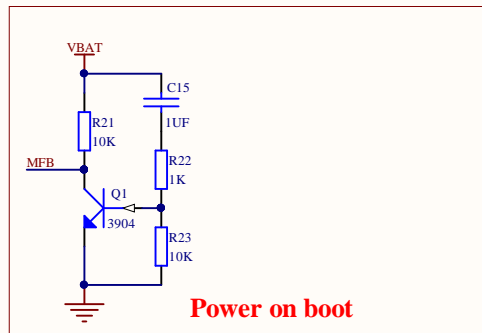
bluetooth module

Button boot



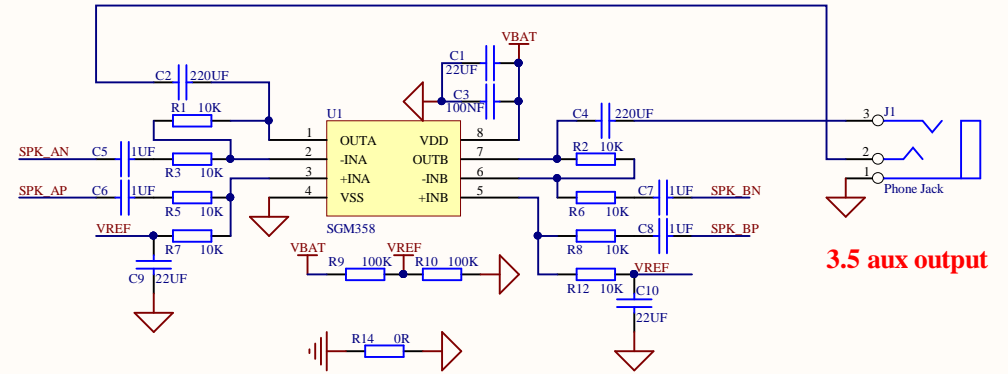
LED : led0 red led1 blue

VBAT voltage 3.3-4.2V

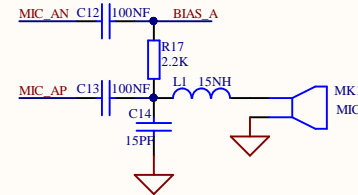


Power on boot

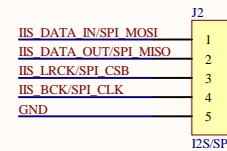
Add delay circuit when power on boot



Differential to single-ended analog audio output



microphone input



I2S Digital audio output

Title		
Size	Number	Revision
A4		
Date:	2021/1/23	Sheet of
File:	E:\Bluetooth\BTM308-C.Sch	Drawn By: